

RigaLed Multicolor

Congratulations on having purchased a **Coemar product**. You are assured of owning a product of the highest quality and utilising the best componentry and latest technology.

General information

The level of technology inherent in the **RigaLed Multicolor** requires specialised personnel; please refer to your authorised **Coemar** service centre for any maintenance issues.

Fire prevention

1. Do not install the device on flammable surfaces.
2. Minimum distance from flammable materials: 0,5 m.
3. Minimum distance from the closest object being illuminated: 0,5 m.

Preventing electric shock

1. The **RigaLed Multicolor's** level of technology requires specialised personnel; please refer to your authorised **Coemar** service centre for any maintenance issues.
2. Do not handle the product with wet hands or in a wet environment.

Safety

1. Always install the projector using bolts, clamps or any other support structures rated to take the weight of the product.
2. Never install the projector in an environment lacking constant ventilation or where the ambient temperature exceeds 35°C.
3. The external surfaces of the projector, in specific positions, may exceed 80°C. Never touch the surface until at least 10 minutes has elapsed since the leds have been switched off.

Warranty conditions

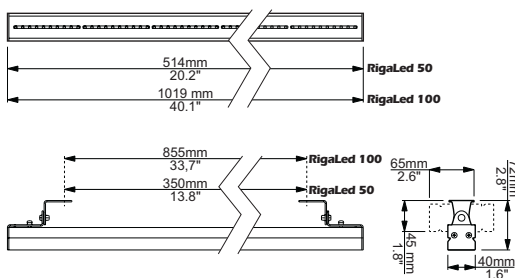
1. The fixture is guaranteed for a period of 12 from the date of purchase against manufacturing or materials defects.
2. The warranty does not extend to damage caused by inappropriate usage or use by inexperienced operators.
3. The warranty is immediately void if the projector has been operated or dismantled by unauthorised personnel.
4. The warranty does not extend to fixture replacement.
5. The serial number of the projector is required for any advice or service from your authorised Coemar service centre.

CE norms

The projector meets or exceeds all applicable CE requirements.

General information

Dimensions



Mechanical installation

RigaLed Multicolor has an IP20 protection rating and may be installed only in closed environments or in external installations where it is protected from direct weather. It may be installed on the ground, suspended or ceiling mounted in any position. Use the two holes on the mounting bracket for permanent and sturdy installation of the **RigaLed Multicolor**.

ATTENTION!!

Always ensure that the mounting structure or surface is suitably rated to bear the weight of the projector.

Orienting output

The inclination of the housing of the **RigaLed Multicolor** can be adjusted to assist in correct focusing of the projector's output. To effect adjustment, loosen the two mushroom bolts which affix the pivoting bracket of the unit. Adjust the **RigaLed Multicolor** to the angle at which you wish it to incline and then refasten the bolts.

RigaLed Multicolor is available with two optics options: with symmetrical or asymmetrical reflector. The table which follows provides the respective beam angles of the two options.

RigaLed Multicolor Symmetrical	-40° / +40°
RigaLed Multicolor Asymmetric	-15° / +30°

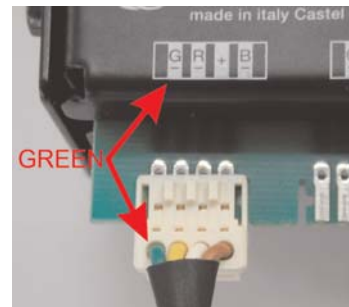
Powering up



RigaLed Multicolor is provided complete with a length of mains cable.

Connect one end of the cable as shown in the diagram at left. Ensure that the Green earth core is connected to the connector labeled with the **G**.

Connecting to the RegoLed DMX512

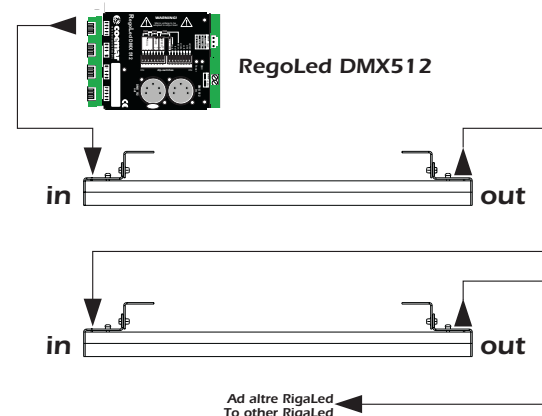


To connect the **RigaLed Multicolor** to the **RegoLed DMX512** connect the end of the mains cable as shown.

Ensure that the Green earth core is connected to the connector labeled with the **G**.

Connecting multiple RigaLed Multicolor units

It is possible to connect several **RigaLed Multicolor** units in series, up to a maximum of 4 metres in length. Connect the mains cables as shown in the diagram below. Ensure that the Green earth core is connected to the connector labeled with the **G**.



Longer lengths of connecting cable are available: **CV11** (0.5m), **CV12** (1m), **CV13** (5m).

ATTENTION!!

It is possible to connect several RigaLed Multicolor units in series to a maximum of 4 metres in length (eg. 8 RigaLed Multicolor 50).

Technical specifications

	RigaLed Multicolor 50	RigaLed Multicolor 100
Power supply	24V DC	24V DC
Maximum current	800mA	1,6A
Maximum power	19W	38W
Max. external temp.	80°C	80°C
Ambient temp min/max	-15 / +35°C	-15 / +35°C
Protection rating	IP20	IP20
Weight	0.7 Kg	1.4 Kg

Coemar s.p.a.

via Inghilterra 2/A - 46042 Castel Goffredo (Mantova) Italy
 ph. +39 0376/77521 - fax +39 0376/780657
 info@coemar.com